

Neo-Dyn® Series 232P Pressure Switch/Internal Adjustment

Compact, adjustable pressure switch for high pressure hydraulic process applications. Efficient Nega-Rate® Belleville disc spring for set point stability and vibration resistance.

Operating Pressure Data

Adjustable Range Number	Adjustable Set Point Range		Deadband (approximate)	Maximum Recommended System Pressure	Proof Pressure
	Increasing	Decreasing			
1	50 to 275	25 to 250	25	5000	7500
2	200 to 1000	75 to 875	125	6500	7500
3	1000 to 3100	700 to 2800	300	6500	7500
4	2800 to 6000	2300 to 5500	500	10000	13500
5	5500 to 8500	4900 to 7900	600	10000	13500
6	7000 to 10000	6000 to 9000	1000	12500	15000

All values given in psig.

Standard Specifications

Electrical

Snap action electrical switch listed by Underwriters' Laboratories, Inc. and CSA International

Electrical Connection

1/2 NPT male conduit connection with PVC insulated 18 AWG, 18" long leads

Pressure Connection

1/4 NPT Female

Temperature Range*

Ambient:

-40°F to +180°F
(-40°C to +82°C)

Media:

-40°F to +250°F
(-40°C to +121°C)

* Temperature limits change with O-Ring selection

Adjustment

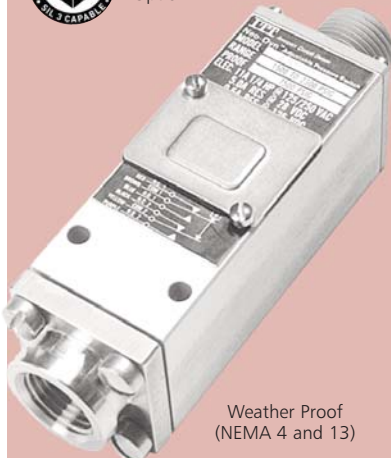
Internal, slotted adjustment nut with range scale

Shipping Weight

Approximately 20 ounces



Order Miscellaneous Option "D"



Ordering Sequence — Select desired option for each category

OPTIONS

Wetted Material

4 316 stainless steel port and piston, Buna-N O-Ring

Adjustable Range

1	25 psig dec. to 275 psig inc.	(1.7 bar dec. to 19.0 bar inc.)
2	75 psig dec. to 1000 psig inc.	(5.2 bar dec. to 69.0 bar inc.)
3	700 psig dec. to 3100 psig inc.	(48.3 bar dec. to 213.7 bar inc.)
4	2300 psig dec. to 6000 psig inc.	(158.6 bar dec. to 413.7 bar inc.)
5	4900 psig dec. to 8500 psig inc.	(337.9 bar dec. to 586.1 bar inc.)
6	6000 psig dec. to 10000 psig inc.	(413.7 bar dec. to 689.5 bar inc.)

Electrical Form

C 11 amp, 1/4 hp at 125 or 250 VAC; 5 amp resistive, 3 amp inductive at 28 VDC; .5 amp resistive at 125 VDC

CC 11 amp, 1/4 hp at 125 or 250 VAC; 5 amp resistive, 3 amp inductive at 28 VDC; .5 amp resistive at 125 VDC

Enclosure

3 Meets or exceeds the requirements of NEMA Type 3, 3R, 3S, 4, 4X and 13

Miscellaneous

A Epoxy paint exterior — extra protection for severe environments

B Viton O-Ring

C EPR O-Ring

D SIL approval and marking, per IEC61508 (includes FMEA report)

E 7/16" - 20 SAE Port

G 1/2 NPT Female Port

I 3/4 NPT conduit box with terminal strip

J Annealed stainless steel port screws for H₂S environments — Consult factory for reduced system and proof pressure ratings

M Gold electrical contacts for extremely low current applications

R 72" Electrical free leads

X U.L. and CSA approved with CE Mark

Special (Consult representative or factory)

• Non-catalog adjustable range and/or set point, deadband and proof pressure

Ordering Procedure

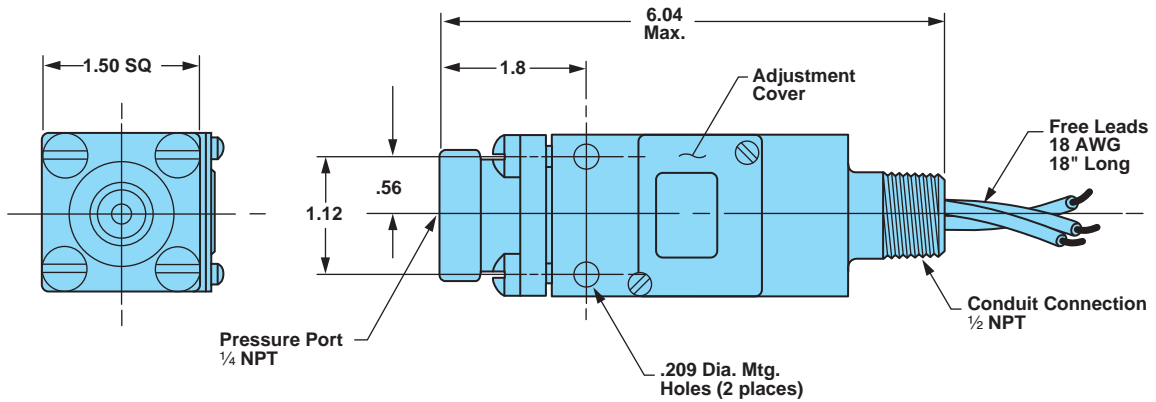
- When factory presetting is desired, stipulate set point, increasing or decreasing
- Insert available option number or letter designation as required

Example

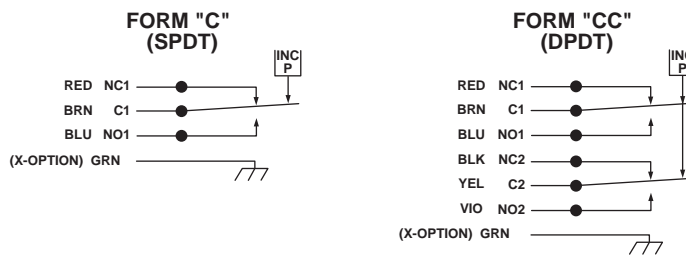
Series
Wetted Material
Adjustable Range
Electrical Form (specify)
Enclosure
Miscellaneous

232P 4 2 CC 3 _

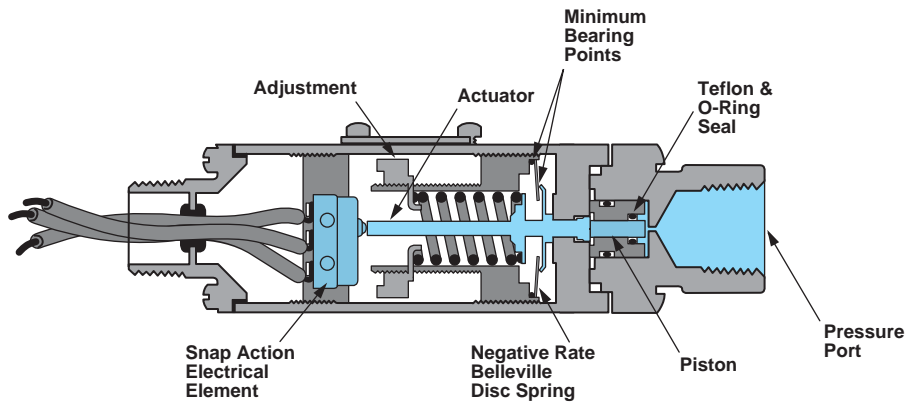
Envelope Dimensions



Electrical Form



Basic Principles of Design



Specifications and dimensions subject to change.